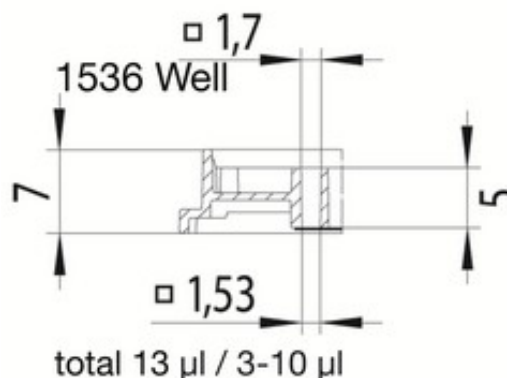


Greiner Bio-One CELLview plate, TC, 96 well, black, with lid, 175 um, glass bottom,



Product in eShop



[Home](#) / [Assortment](#) / [Life Science](#) / [Hightroughput Screening \(HTS\)](#) / [Microplates](#) / [Glass bottom plates](#)
[SensoPlate Plus](#) /

Product Data

The **SensoPlate™ Plus** glass bottom microplates were developed in collaboration with Evotec Technologies GmbH for optical applications in High-Content Screening. They are characterised by an improved geometry, which enables interference-free measurements and also microscopy over the whole surface of the bottom of a microplate. The short distance of 0.3 mm between the external well bottom(underside) and microplate skirt bottom facilitates changing objectives during microscopy and imaging perimeter wells without hindrance. The SensoPlate™ Plus is available non-sterile without lid in 384 well and 1536 well format

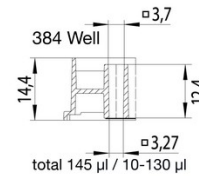
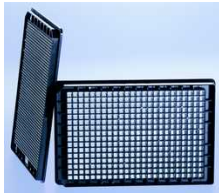
- For High-Content Screening applications
- Developed in collaboration with Evotec Technologies GmbH
- With lid
- Colour: black
- Sterile

Item No.	format	well geometry	colour	lid	working volume	Price
7.655 891	96 Well	F-Boden / Kamin	black	+	0,025 – 0,34 ml	CHF 1'250.08
7.781 856	384 Well	F-Boden	schwarz	-	---	CHF 1'264.80

Accessories

Item No.	Description	Price
7.656 101	Polystyrene Lids Greiner Bio-One	from CHF 61.20
7.676 001	Sealer EASYseal™ Greiner Bio-One	from CHF 68.68
7.676 090	Foil Greiner Bio-One SILVERseal™	from CHF 158.03
7.676 040	VIEWseal™ and AMPLiseal™	from CHF 256.78
12.7702.14		from CHF 191.20

More product images



* The prices are non-binding and are to be understood as selling prices in Swiss francs without value added tax (VAT), as well as all other fees, charges and taxes. The prices displayed in the eShop may differ from the PDF file due to regular updates.

** Please note that when ordering chemicals and detergents, transport and packaging costs for hazardous goods as well as legally prescribed fees are charged. These will be shown in detail on the order confirmation, which you will receive in addition to the confirmation of receipt.

*** Further information such as technical information and safety data sheets can be found online in our eShop.

**** The PDF file was created on www.huberlab.ch on 24.05.2026 at 11:26 o'clock.

www.huberlab.ch